

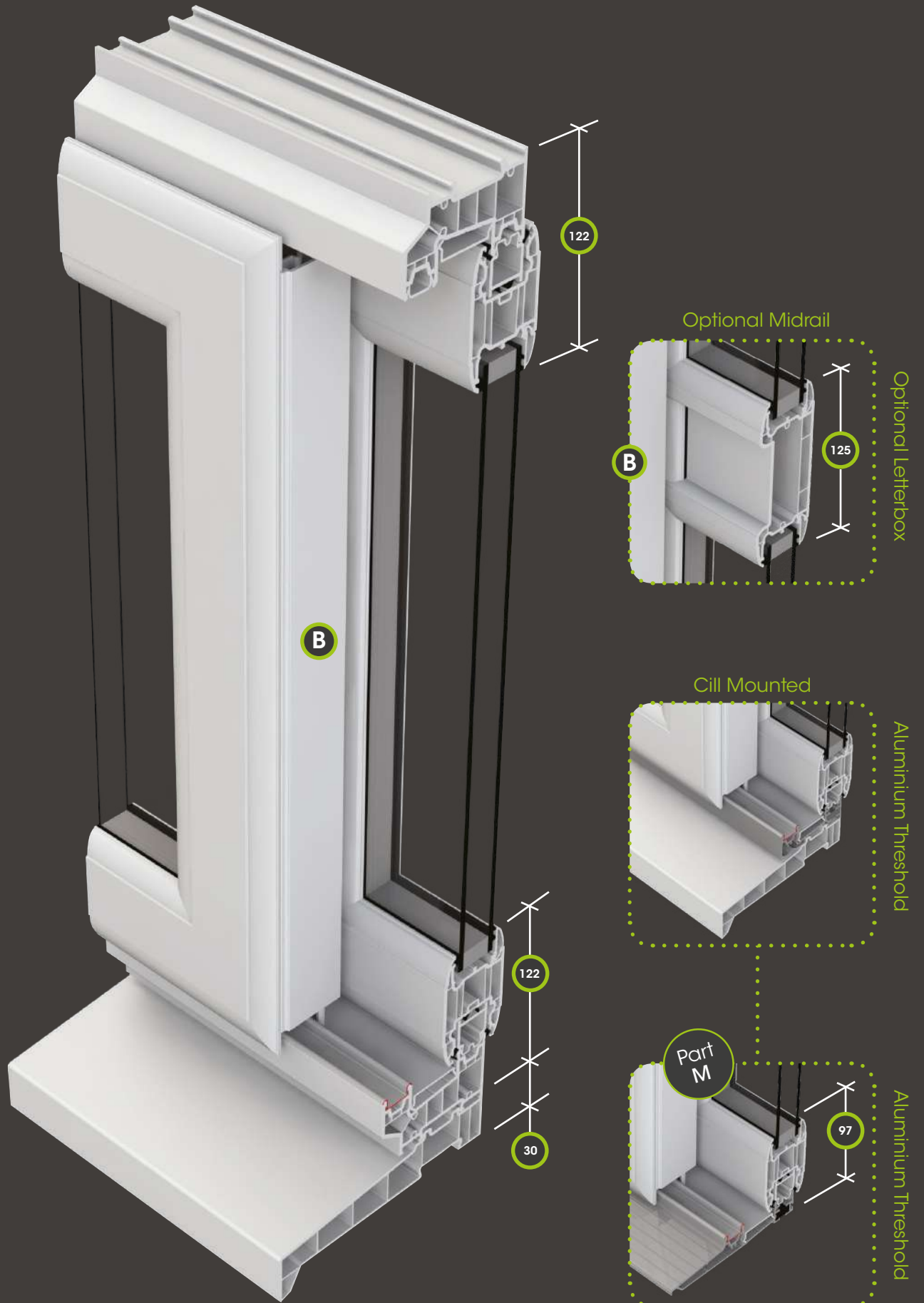
# Technical information

For Liniar patio doors



# ModLok™ Patio Door

Vertical Cross Section - External sliding, internally beaded



\* all dimensions shown in mm

## ModLok™ Patio Door



- Sculptured suite
- 28mm double or triple glazing
- Multi-chambered EnergyPlus profiles
- U-values from 1.2 (DGU) and 1.0 (TGU)
- Patented steel exoskeleton

### Accreditations



BS EN 12608



ISO 9001



BS EN 6375

### Colour Options



White or White Foil



Cream or Cream Foil



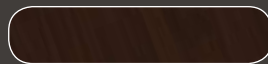
Chartwell Green



Irish Oak



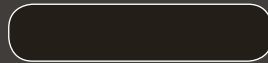
Golden Oak



Rosewood



7016 Grey

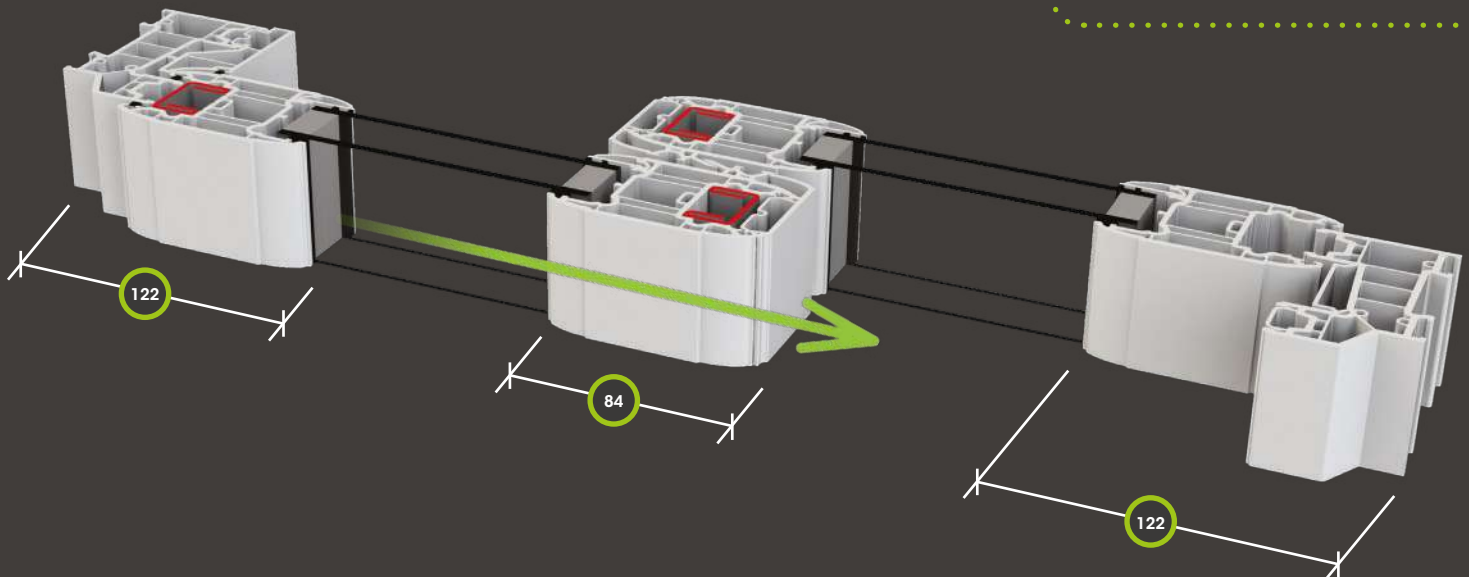


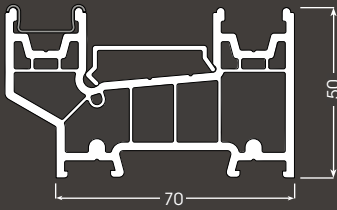
Black

Additional colours are available to order as specials.  
The colours shown in this brochure give an indication only.

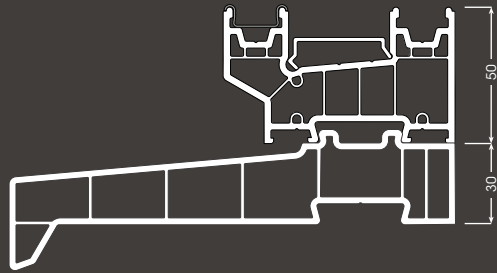
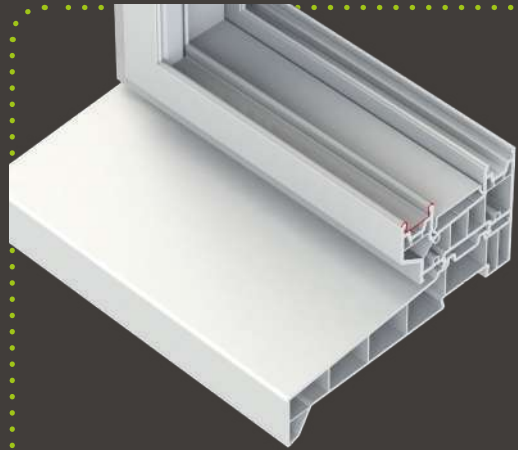


Horizontal Cross Section

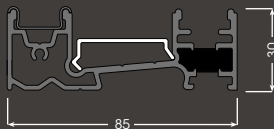
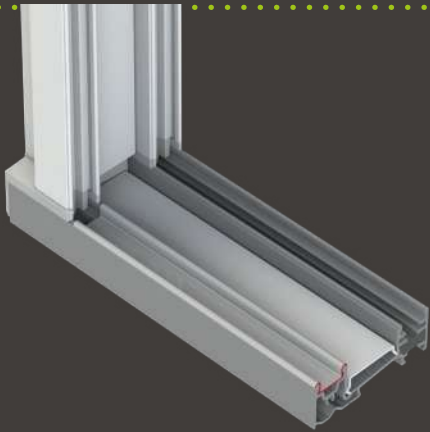




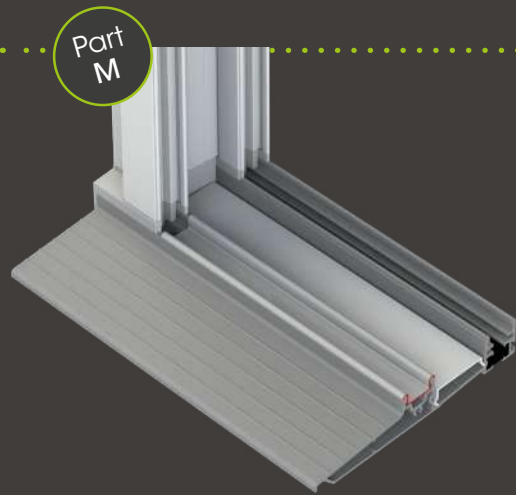
**Frame Only**  
Threshold Height: 50mm



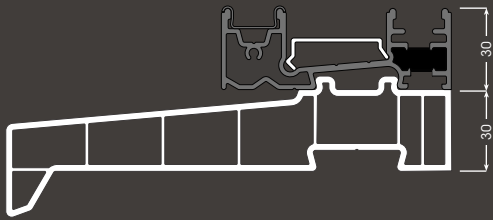
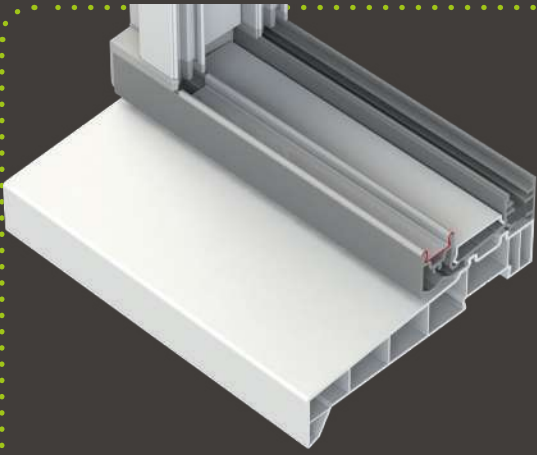
**Frame and Cill**  
Threshold Height: 80mm (inc cill)



**Low Threshold**  
Threshold Height: 30mm



**Low Threshold with Integral Ramp**  
Threshold Height: 25mm



**Cill Mounted Threshold**  
Threshold Height: 60mm



## Liniar specification guide

The Liniar Specification Guide is an A4-size, 234-page, full colour guide to specifying energy efficient PVCu windows and doors.

Covering the full range of lead-free Liniar products including the patio door system, the Specification Guide includes full product charts, U-values, dimensions, accreditations, safety information and a variety of case studies.

To view an online copy of the Liniar Specification Guide and to order your free copy visit :

[www.liniar.co.uk/specification-guide](http://www.liniar.co.uk/specification-guide)

### Liniar

Flamstead House  
Denby Hall Business Park  
Denby  
Derbyshire DE5 8JX

Tel: +44 (0)1332 883900  
Fax: +44 (0)1332 883901  
Email: [sales@liniar.co.uk](mailto:sales@liniar.co.uk)

[www.liniar.co.uk](http://www.liniar.co.uk)

